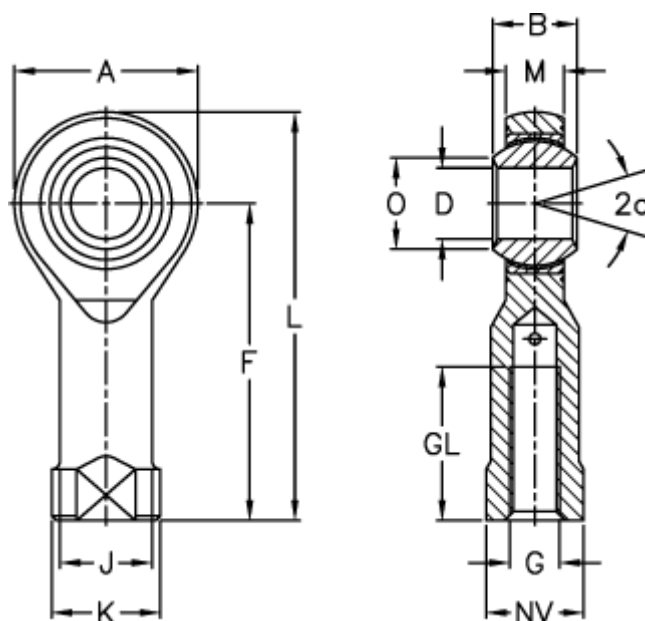


Article number: 03020014

Description: Fluro Rod End GIRSW 14-RR  
Stainless steel complete

## Measures



A	= 36	J	= 20	Weight (g) = 170
a (degrees)	= 16	K	= 25	
B	= 19	L	= 75	
D	= 14	M	= 13.5	
Dynamic load C (kN)	= 42	NV	= 22	
F	= 57	O	= 16.8	
G	= M14	Permissible rpm	= 260	
GL	= 25	Static load C0 (kN)	= 39.5	